

# BULK SOLIDS HANDLING EQUIPMENT

## SILO VENTING FILTERS

### 仓顶排气除尘器

#### FNC 仓顶排气除尘器 FNC SILO VENTING FILTERS

FNC 是一种完全由不锈钢制成的圆形排气过滤器（密封框由经过表面处理的碳钢制成）。该过滤器带有一个法兰式壳体，可以利用24个螺栓将过滤器固定在筒仓中

R03 is a cylindrically shaped dust collector for venting of pneumatically filled silos. The stainless steel body contains vertically mounted, filter elements. The air jet cleaning system is integrated in the hinged weather protection cover.



# FNC



#### Feature - 特性

- 气动清洁
- 直径800毫米
- 不锈钢表壳AISI430
- 过滤滤芯 (14件)
- 吹扫系统中有2个电磁阀
- 过滤面积为22平方米
- 温度-20℃ ..... +80℃ (最高可达+100℃)
- 外壳内的压力-0.05 bar ... +0.075 bar
- 所需气压6 bar
- 耗气量4.5 Nm<sup>3</sup>/h
- 水泥粉尘生产率1600 m<sup>3</sup>/h
- 维护高度1100毫米
- 最大高度, 打开盖子1850毫米
- 过滤效率高 (99.9%)
- 带电压检测功能的电子控制单元IP 66 (24-260 VDC / VAC)
- 能够调整暂停/清除周期的持续时间
- 空气净化系统内置于盖子内, 无需维护。
- 盖锁
- 需要安装环
- 为保护过滤器, 必须安装安全阀

#### Function - 功能

- Pneumatic cleaning
- Diameter 800 mm
- Stainless steel case AISI430
- Filtering elements (14 pieces)
- 2 solenoid valves in the purge system
- The area of the filtering surface of 22 m<sup>2</sup>
- Temperature -20 °C ... + 80 °C (shortly up to + 100 °C)
- Pressure inside the housing -0.05 bar ... + 0.075 bar
- Required air pressure 6 bar
- Air consumption 4.5 Nm<sup>3</sup> / h
- Productivity on cement dust 1600 m<sup>3</sup> / h
- Maintenance height 1100 mm
- Maximum height with open lid 1850 mm
- High filtration efficiency (99.9%)
- Electronic control unit IP 66 with voltage detection function (24-260 VDC / VAC)
- The ability to adjust the duration of pause / purge cycles
- The air cleaning system is built into the cover and does not require maintenance.
- Cover with lock
- Mounting ring
- To protect the filter, you must install a safety valve

#### Code 代号

FN	C	3	J	22	V		A
TYPE 型号	Filtering elements 滤芯型式	Filter diameter 除尘器尺寸	Cleaning system 清洁系统	Filter surface 过滤面积	Venturi insets 文丘里插入	Body material 阀体材质	Fan motor power 风机电压
FN	C= Cartridges 圆型滤筒 W= Square cartridge 长方型滤筒	1=400mm 2=600mm 3=800mm 4=1000mm	J= Compressed air 压缩的空气	01-48m <sup>2</sup>	+ = Without V = With Venturi 文丘里	+ = 430St.st 2=304St.st 4=316St.st	+ = Without fan A= 50Hz B= 60Hz



## Specification data

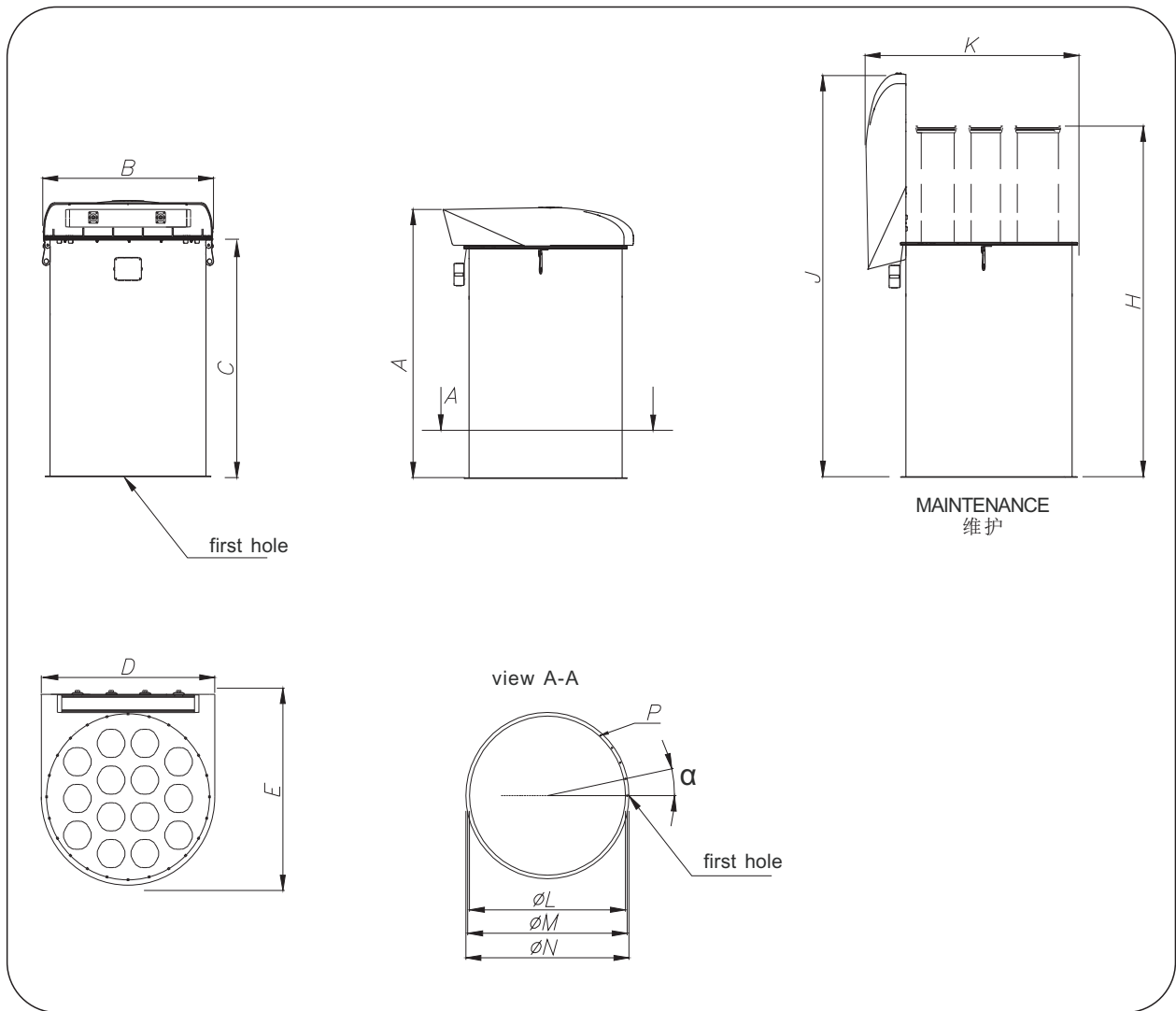
型号 CODE	仓筒直径 BODY Ø mm [in]	过滤面积 Filter surface m <sup>2</sup> [sq ft]	耗气量 Air consumption Nm <sup>3</sup> /h	关闭时高度 Max. height when closed mm [in]	开启时高度 Max. height when open mm [in]	重量 Weight kg [lb]
FNC3	800 [31.5]	22 [237]	4.5	1,100 [43.3]	1,850 [72.8]	79 [174]

Dimensions in mm

# BULK SOLIDS HANDLING EQUIPMENT

## DESCRIPTION AND TECHNICAL CHARACTERISTICS 说明与技术规格

### 外观尺寸 / Overall Dimensions



### Overall Dimensions

类型 TYPE	过滤面积 Filter surface (m <sup>2</sup> )	过滤器滤芯 Filter Elements		A	B	C	D	E	H	J	K	$\phi L$	$\phi M$	$\phi N$	$\alpha$	P		重量 Weight
		No.	长度 Lenght													N°	$\phi$	
FNC3J12	11.7	14	520	710	860	526	960	1005	1060	1465	1110	783	808	833	15	24	10	89
FNC3J18	18	14	770	960	860	776	960	1005	1560	1715	1110	783	808	833	15	24	10	97
FNC3J22	22	14	920	1110	860	926	960	1005	1860	1865	1110	783	808	833	15	24	10	103

Dimensions in mm

Please contact us on any small problems & details.

更详细的图以及问题, 请直接与本公司联络。