

BULK SOLIDS HANDLING EQUIPMENT

SILO DISCHARGE BUTTERFLY VALVES

V.FS Powder pneumatic valve

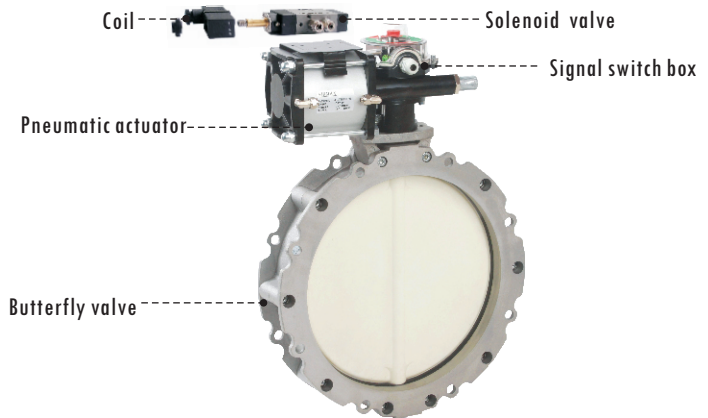
HOW TO ORDER	V	2	FS	300	S	N	-	P	W	F	/	220V
	Connection		-DN	Discs	Sealing ring	-Control	-Driver	-Control valve		/Control voltage		
V FS	SINGLE FLANGE		100	S	Wear resistant	N	NBR	P	Pneumatic	W	F	220VAC
V1FS	SINGLE FLANGE		150	GB	Cast iron	E	EPDM	E	Electric			110VAC
V2FS	DOUBLE FLANGE		200	A	Stainless steel							24VDC
			250	L	Aluminum							
			300									
			350									
			400									

VFS Butterfly Valves are mainly used silo switch bins, hoppers and equipped with powdered or granular materials. Can be applied to deal with all powdery and granular materials, the use of the material itself gravity valve closure and pneumatic conveying of dry materials.



V2FS300SN-WF/24VDC

Is: Double flange connection butterfly valve, diameter 300mm, wear dust-proof valve plate, NBR seal, with solenoid valve coil voltage of 24 VDC, with MIC23 signal feedback.



PNEUMATIC ACTUATOR COUPLING

	V*FS100	V*FS150	V*FS200	V*FS250	V*FS300	V*FS350	V*FS400
Under light load	CP 101	CP 101	CP 101	CP 101	CP 101	CP 126	CP 126
Under heavy load	CP 101	CP 101	CP 101	CP 126	CP 126	CP 126T	CP 126T

- * 1 - Single flange butterfly valve for sleeve connection
- 2 - Double flange butterfly valve
- NO - Detachable open type single flange (double flange with single flange)

COUPLING OF MANUAL LEVER

V*FS100	V*FS150	V*FS200	V*FS250	V*FS300	V*FS350	V*FS400
CM4	CM4	CM4	CM4	CM4	CM3B	CM3B

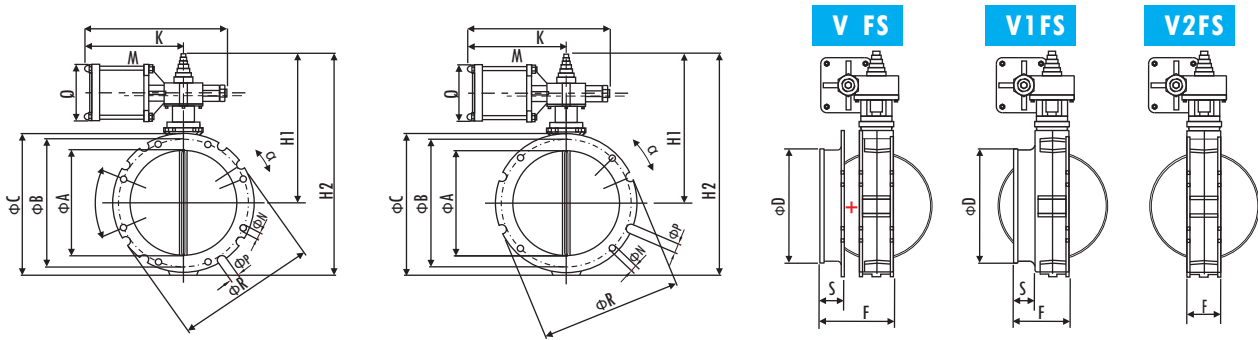
- * 1 - Single flange butterfly valve for sleeve connection
- 2 - Double flange butterfly valve
- NO - Detachable open type single flange (double flange with single flange)

N.B.. ACTUATOR CHOICE DEPENDS APPLICATION AND TYPE OF MATERIAL, WITH LUMPY, GRANULAR AND FIBROUS PRODUCTS, IT IS ADVISABLE TO USE A CASTIRON OR AISI 304 DISC.

BULK SOLIDS HANDLING EQUIPMENT

TECHNOLOGY ABSTRACT

VFS -



Detachable open type single flange (double flange with single flange)

TYPE	ϕA	ϕB	ϕC	ϕD	F	G	H1	H2	K	M	N Drilling Bohrungen Trous Fori	P External grooves Einbuchtungen Evidages Incavi	ϕR	α	S	Q	kg
V FS100-WF	95	180	220	105	117	35	250	380	260	175	N°4x ϕ 14	N°4x ϕ 20	220	22°30'	40	110	10
V FS150-WF	150	200	228	163	117	35	255	390	260	175	N°4x ϕ 14	N°4x ϕ 20	228	22°30'	40	110	11
V FS200-WF	200	250	278	213	117	35	280	440	260	175	N°4x ϕ 14	N°4x ϕ 20	278	22°30'	40	110	13
V FS250-WF	250	300	328	263	117	35	305	490	260	175	N°8x ϕ 14	N°8x ϕ 20	325	11°15'	40	110	15
V FS300-WF	300	350	378	313	117	35	340	540	260	175	N°8x ϕ 14	N°16x ϕ 20	375	5°41'	40	110	18.5
V FS350-WF	350	400	440	363	125	50	400	680	450	280	N°8x ϕ 14	N°8x ϕ 20	440	10°	40	130	35
V FS400-WF	400	470	530	413	125	50	445	740	450	280	N°8x ϕ 14	N°16x ϕ 20	530	4°30'	40	130	45

SINGLE FLANGE BUTTERFLY VALVE FOR SLEEVE CONNECTION

TYPE	ϕA	ϕB	ϕC	ϕD	F	G	H1	H2	K	M	N Drilling Bohrungen Trous Fori	P External grooves Einbuchtungen Evidages Incavi	ϕR	α	S	Q	kg
V1FS100-WF	95	180	220	105	117	35	250	380	260	175	N°4x ϕ 14	N°4x ϕ 20	220	22°30'	40	110	10
V1FS150-WF	150	200	228	163	117	35	255	390	260	175	N°4x ϕ 14	N°4x ϕ 20	228	22°30'	40	110	11
V1FS200-WF	200	250	278	213	117	35	280	440	260	175	N°4x ϕ 14	N°4x ϕ 20	278	22°30'	40	110	13
V1FS250-WF	250	300	328	263	117	35	305	490	260	175	N°8x ϕ 14	N°8x ϕ 20	325	11°15'	40	110	15
V1FS300-WF	300	350	378	313	117	35	340	540	260	175	N°8x ϕ 14	N°16x ϕ 20	375	5°41'	40	110	18.5
V1FS350-WF	350	400	440	363	125	50	400	680	450	280	N°8x ϕ 14	N°8x ϕ 20	440	10°	40	130	35
V1FS400-WF	400	470	530	413	125	50	445	740	450	280	N°8x ϕ 14	N°16x ϕ 20	530	4°30'	40	130	45

DOUBLE FLANGE BUTTERFLY VALVE

TYPE	ϕA	ϕB	ϕC	F	G	H1	H2	K	M	N Drilling Bohrungen Trous Fori	P External grooves Einbuchtungen Evidages Incavi	ϕR	α	Q	kg
V2FS100-WF	95	180	220	77	35	250	380	260	175	N°4x ϕ 14	N°4x ϕ 20	220	22°30'	110	10
V2FS150-WF	150	200	228	77	35	255	390	260	175	N°4x ϕ 14	N°4x ϕ 20	228	22°30'	110	10
V2FS200-WF	200	250	278	77	35	280	440	260	175	N°4x ϕ 14	N°4x ϕ 20	278	22°30'	110	11.5
V2FS250-WF	250	300	328	77	35	305	490	260	175	N°8x ϕ 14	N°8x ϕ 20	325	11°15'	110	13.5
V2FS300-WF	300	350	378	77	35	340	540	260	175	N°8x ϕ 14	N°16x ϕ 20	375	5°41'	110	17
V2FS350-WF	350	400	440	85	50	400	680	450	280	N°8x ϕ 14	N°8x ϕ 20	440	10°	130	33
V2FS400-WF	400	470	530	85	50	445	740	450	280	N°8x ϕ 14	N°16x ϕ 20	530	4°30'	130	42

Dimensions in mm