

BULK SOLIDS HANDLING EQUIPMENT

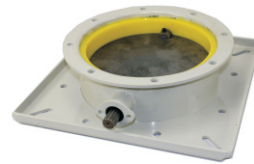
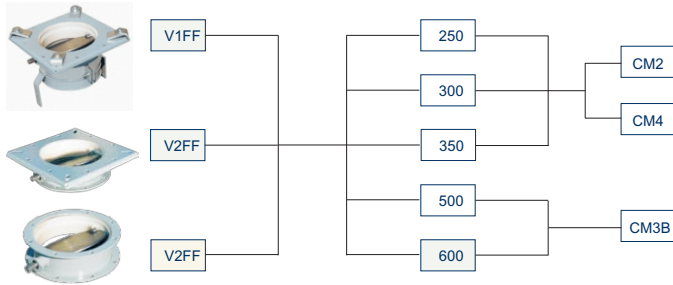
BUTTERFLY VALVE FOR SILO

Silo Discharge Butterfly Valve VFF-Series

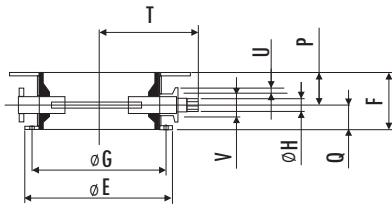
VFF Silo Closure Butterfly Valves are used in all types of building material processing plants where interception of gravity-fed dry materials is required. They are fitted beneath hoppers, bins, or silos.



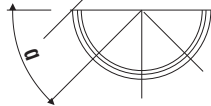
Compatibility of Manual Levers



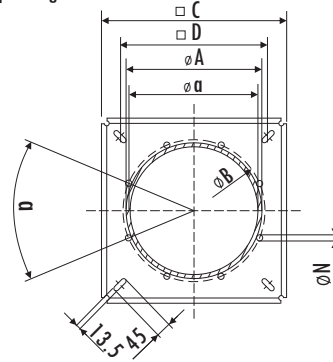
Butterfly Valves with Square Top Flange and Round Bottom Flange



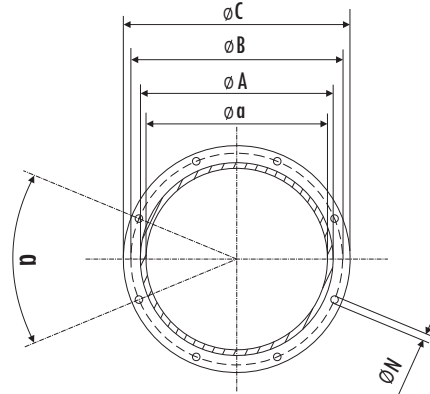
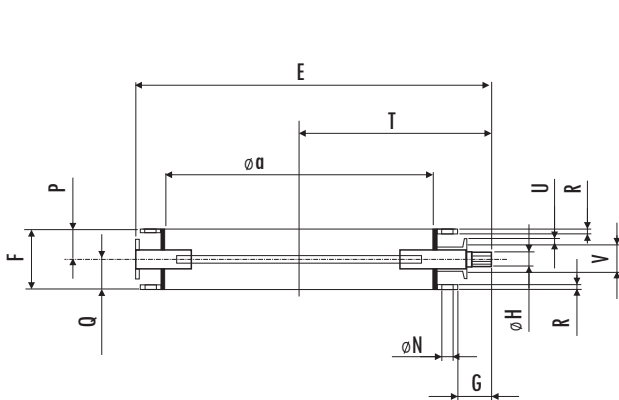
Bottom Flange



Top Flange



TYPE	Φa	ΦA	ΦB	ΦC	ΦD	ΦE	F	ΦG	ΦH DIN 5482	ΦN DRILLINGS	Nr of DRILLINGS	P	Q	R	α	T	U	V	kg
V2FF250F14N	245	268	375	400	325	328	100	300	22 x 19	13.5	8	50	50	6	45°	202	M 12	50	16
V2FF300F19N	295	318	400	450	370	378	100	350	22 x 19	13.5	8	50	50	6	45°	210	M 12	50	19



TYPE	Φa	ΦA	ΦB	ΦC	ΦE	F	G	ΦH DIN 5482	ΦN DRILLINGS	Nr of DRILLINGS	P	Q	R	α	T	U	V	kg
V2FF 250 F34N	245	268	300	328	400	100	50	22 x 19	13.5	8	50	50	6	45°	214	M 12	50	8.6
V2FF 300 F35N	295	318	350	378	450	100	50	22 x 19	13.5	8	50	50	6	45°	239	M 12	50	10
V2FF 500 F61N	500	530	590	620	688	200	64	28 x 25	17.5	8	50	50	10	45°	374	M 12	80	38

Dimensions in mm