

## PRESSURE RELIEF VALVE

### Pressure Relief Valve VCP-Series

VCP Pressure Relief Valves are the last resort when abnormal pressure conditions endanger the silo structure. This is why sudden excess or suction pressure inside the silo must be dealt with instantaneously. Even though ideally a Pressure Relief Valve should never have to go into action, it must be efficient and reliable if needed.



#### Performance & Technical Features

- Carbon steel body (VCP2731C / VCP3751C) painted RAL 7001 or 304 stainless steel body (VCP2732C / VCP 3752C)
- Weather protection cover in stainless steel for all versions
- Body diameter = 273 / 356mm (10" / 14")
- Air volume up to 7,000m<sup>3</sup>/h (4,120 cfm) for VCP273 or 13,000m<sup>3</sup>/h (7,650 cfm) for VCP375
- Equipment for inductive signalling sensors
- All standard versions preset for an activation negative pressure of - 0.005 bar (0.07 psi) and an excess pressure of + 0.05 bar (0.72 psi)
- In case of particular customer requirements calibration can be changed by means of a special spring kits

#### How To Order

VCP	273	1	B
Type	Body diameter	body	style
Pressure Relief Valves	273 mm	0 = Carbon steel body 1 = Carbon steel body and Stainless steel 2 = 304 Stainless steel body 3 = 316 Stainless steel body	B

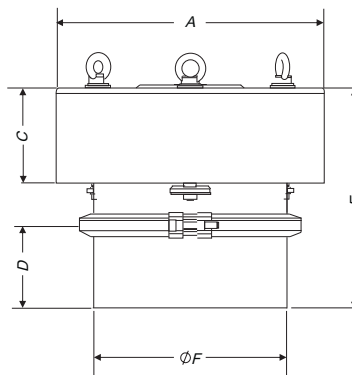


#### Pressure Relief Valve

Calibration by manufacturer

Pressure  
500mm H<sub>2</sub>O

Negative Pressure  
-20mm H<sub>2</sub>O



Pressure  
280 → 1000mm H<sub>2</sub>O \*

Negative Pressure  
-20 → -120mm H<sub>2</sub>O \*

Type	A	B	C	D	E	ΦF	kg
VCP2730B	380	-	125	120	325	273	12
VCP2731B	380	-	125	120	325	273	12
VCP2732B	380	-	125	120	325	273	12
VCP2733B	380	-	125	120	325	273	12

Dimensions in mm