

# BULK SOLIDS HANDLING EQUIPMENT

## BUTTERFLY VALVE

### 蝶阀

### Pneumatic Water Valve CPD Series CPD系列气动水阀

CPD系列蝶阀用于控制外加剂和水称管路的开启或关闭。

CPD series butterfly valve is used to control the opening or closing of water, liquid, gas pipe.



#### 性能-特性

- 管路压力:  $\leq 10\text{bar}$
- 工作温度:  $-20 \sim +120^\circ\text{C}$
- 环境温度:  $-20 \sim +70^\circ\text{C}$

#### OPERATING CONDITIONS

- Container excess pressure: max. 10 bar
- Temperature inside vessel:  $-20$  to  $120^\circ\text{C}$
- Ambient temperature inside casing:  $-20$  to  $70^\circ\text{C}$

#### 选项&附件

- 位置信号显示装置: MIC 23
- 5/2电磁阀: VS580 - VS520
- 电磁线圈: 24-48-110-220 V DC & 50 Hz AC

#### OPTIONS & ACCESSORIES

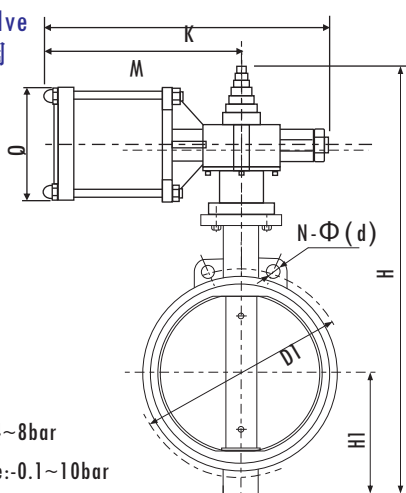
- Switch box: MIC 23
- Solenoid valve: VS580&VS520
- Solenoid Coils: 24-48-110-220 V DC & 50 Hz AC

### 型号含义 How To Order

CPD	6	-100	W	F	/24VDC
型号 TYPE	传动型式 Transfer method	阀门口径 Valve size	信号开关 Switch box	电磁换向阀 Solenoid valve	电磁阀电压 Voltage
蝶阀 Butterfly valve	6=气动 Pneumatic	DN40-200	W	F	24-110-220V DC/AC

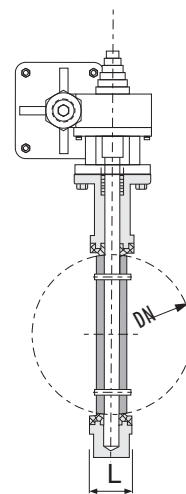
例如: 选购DN100气动蝶阀: CPD6-100, 如需要加配DC24V电磁阀则型号为: CPD6-100WF/24V。

Butterfly valve  
气动蝶阀



Air pressure: 4~8bar  
Fluid pressure: -0.1~10bar

CPD



### 连接尺寸 CONNECTION SIZE

Part # 型号	Disk Material 盘材料	Seal packing Material	Q	K	N-Ø(d)	D1	H	H1	L	M	NPS
CPD6-40	Nodular cast iron 铸铁	N = NBR 丁腈橡胶	110	260	2-Ø23	110	370	80	42	175	1-1/2"
CPD6-50			110	260	2-Ø23	120	370	80	42	175	2"
CPD6-65			110	260	2-Ø26.5	136	394	90	45	175	2-1/2"
CPD6-80	Stainless Steel 不锈钢	E = EPDM 乙丙橡胶	110	260	2-Ø18	160	406	95	45	175	3"
CPD6-100			110	260	2-Ø24.5	185	444	115	52	175	4"
CPD6-125			110	260	2-Ø23	215	520	130	55	175	5"
CPD6-150			110	260	2-Ø25	238	545	140	56	175	6"
CPD6-200			132	450	2-Ø25	295	615	175	61	280	8"

Dimensions in mm

Please contact us on any small problems & details.