

BULK SOLIDS HANDLING EQUIPMENT

PINCH VALVES

Pneumatic Pinch Valve -VM-Series

VM Pinch Valves are used for material flow interception in pneumatic conveying systems, or other pipelines.

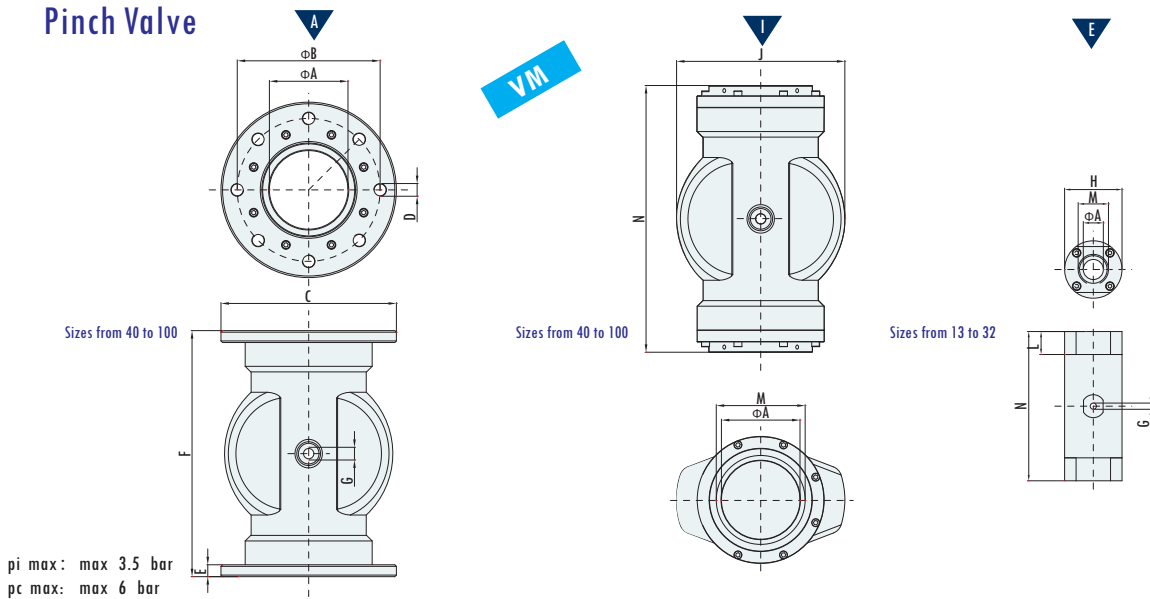
Pinch Valve

OPERATING CONDITIONS

- Pi Internal Max. Pneumatic Conveying System Pressure: 3.5 bar
- Pc Closure control Pressure: Pi + 2.5 bar (Max. 6 bar)
- Working Temperature: from -10 ° C up to 80°C



Pinch Valve



TYPE	A	B	C	D		E	F	G	H	J	L	M	N	kg
				Φ	n°									
VM013	13							1/8"	42		18	1/2"	120	0.40
VM020	20							1/8"	50		20	3/4"	130	0.50
VM025	25							1/8"	56		22	1"	130	0.70
VM032	32							1/8"	70		25	1+1/4"	165	1.10
VM040	40	110	150	M 16	4	12	178	1/8"		99		1+1/2"	202	2.20
VM050	50	125	165	M 16	4	15	190	1/4"		120		2"	214	3.40
VM065	65	145	185	M 16	4	15	225	1/4"		138		2+1/2"	230	4.00
VM080	80	160	200	M 16	4	15	270	1/4"		180		3"	294	5.40
VM0100	100	180	220	M 16	8	15	310	1/4"		214		4"	334	7.60
VM0125	125	210	250	M 16	8	15	350	1/4"		250				10.20
VM0150	150	240	285	M 16	8	18	396	1/4"		285				15.60
VM0200	200	295	340	M 16	8	25	460	1/4"		374				22.80

Dimensions in mm