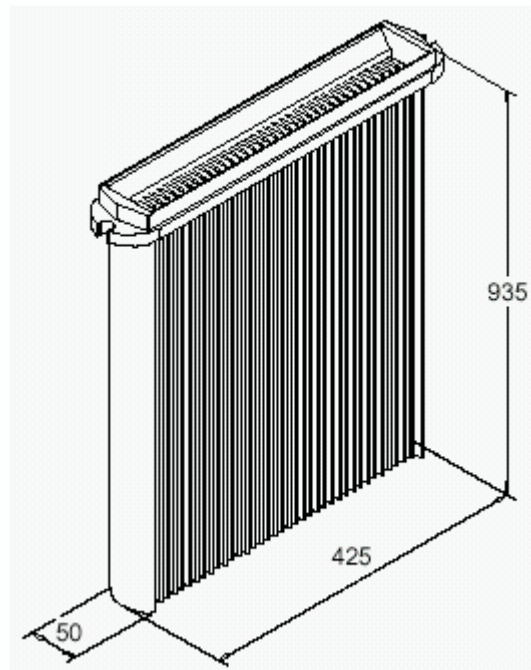




KFEW

FILTER ELEMENTS



The R03 Venting Filter is provided with seven filter elements.

These elements are parallelepiped shaped and the dimensions are as shown in the diagram above; the filtering medium is a non-woven pleated spunbonded fleece.

The total filtering surface is 24.5m.