

BULK SOLIDS HANDLING EQUIPMENT

SCREW CONVEYOR ACCESSORIES

Intermediate Hanger Bearing XLY Series

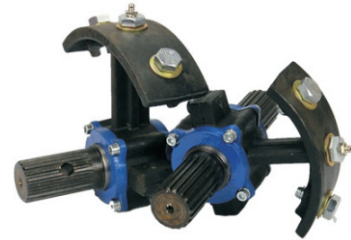
XLY series of intermediate shaft is screw feeder hanging essential connection is with self-lubricating liner hanger.



XLY

Performance & Technical Features - Benefits

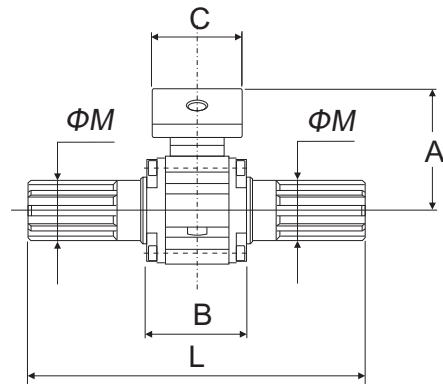
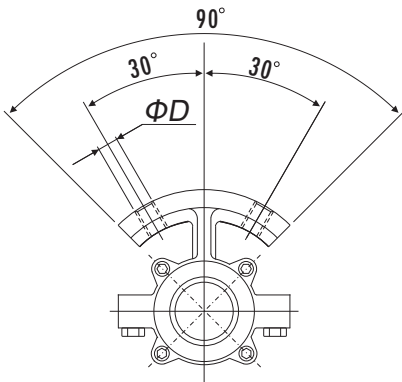
- Material: carbon steel
- Suitable for cement, lime and similar powders



Code

X | L | Y | 0 | 4 | 5 | B | | | T

Ø Shaft	Ø Feeder	
045=Ø45mm	15=Ø168	25=Ø273
060=Ø60mm	20=Ø219	30=Ø323
		35=Ø406



FOR: TU Screw conveyor

Code	Part #	Φ Shaft	Φ Feeder	A	B	C	D	M DIN 5482	L	Kg
TU 219	XLY045H020T	45	219	105.5	75	62	M14	40x36	225	4.5
TU 273	XLY045H025T	45	273	132.5	75	62	M14	40x36	225	4.7
TU 323	XLY045H030T	45	323	157.5	75	62	M14	40x36	225	5.0
ES 406	XLU406H035T	60	406	197.0	75	60	M20	60x55	295	14.0

Dimensions in mm