

# BULK SOLIDS HANDLING EQUIPMENT

## SCREW CONVEYOR ACCESSORIES 螺旋输送机配件

### Intermediate Hanger Bearing SI Series SI系列中间悬挂总成

SI系列中间吊轴是螺旋喂料机中必不可少的连接件，是带自润滑衬套的吊架。  
SI series of intermediate shaft is screw feeder hanging essential connection is with self-lubricating liner hanger.



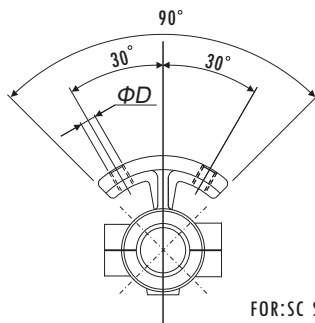
**SI**

#### 性能-特性

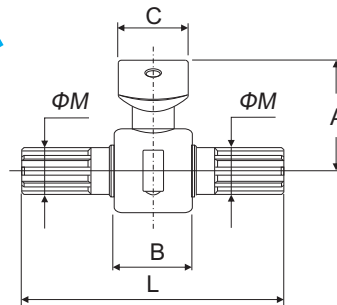
- 材质：铝合金
- 适应于水泥，石灰和类似粉末

#### Performance & Technical Features - Benefits

- Material: Aluminum alloy
- Suitable for cement, lime and similar powders



FOR:SC Screw conveyor



#### 连接尺寸 CONNECTION SIZE

Part # 型号	Φ Shaft 轴杆	Φ Feeder 适用喂料机	A	B	C	D	M DIN 5482	L	Kg
SI 168	40	SC 168	80	55	51	M14	40x36	245	3.5
SI 219	40	SC 219	105.5	55	51	M14	40x36	245	3.9
SI 273	40	SC 273	132.5	55	51	M14	40x36	245	4.5
SI 323	40	SC 325	157.5	55	51	M14	40x36	245	5.0



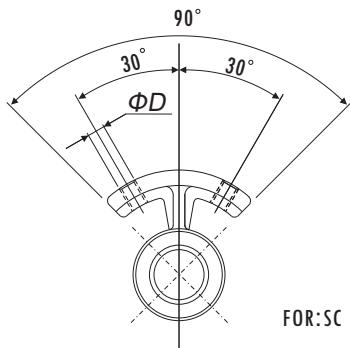
**SI**

#### 性能-特性

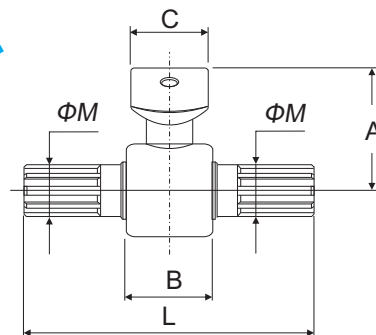
- 材质：球墨铸铁&碳钢
- 适应于水泥，石灰和类似粉末

#### Performance & Technical Features - Benefits

- Material: carbon steel
- Suitable for cement, lime and similar powders



FOR:SC Screw conveyor



#### 连接尺寸 CONNECTION SIZE

Part # 型号	Φ Shaft 轴杆	Φ Feeder 适用喂料机	A	B	C	D	M DIN 5482	L	Kg
SI 325	60	SC 323	157.5	75	54	M14	60x55	295	13.0
SI 407	60	SC 407	197.0	75	60	M20	60x55	295	15.0

Dimensions in mm

Please contact us on any small problems & details.