

# BULK SOLIDS HANDLING EQUIPMENT

## REDUCER SHAFT COUPLINGS

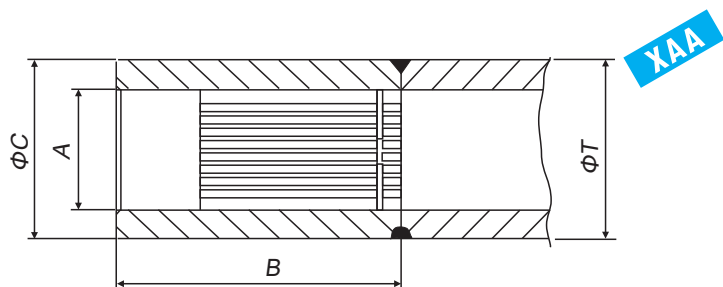
### 减速箱轴杆花键套

#### XA 花键套 Shaft Couplings

XA花键套焊接于内管两端用于衔接螺旋机叶片.适用于威埃姆、仕高玛219/273/323螺旋机.  
XA spline sets are welded to the ends of the inner tube for the connection of the screw blades. Suitable for 219/273/323 screw

#### 螺旋花键套 Shaft Couplings

### XAA

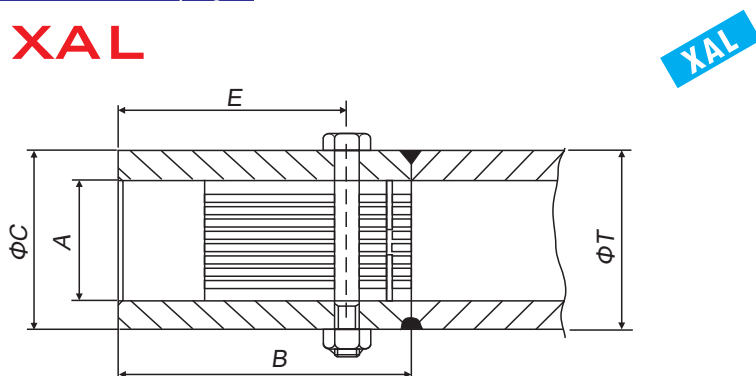


#### 连接尺寸 CONNECTION SIZE

型号 Part #	适用喂料机 Φ Feeder	齿数 Number of teeth	A	B	C	T	Kg
XAA 028T042	114 139	13	28X25	70	42	42	0.5
XAA 040T060	168 193 219 273	20	40X36	92	60	60	1.2
XAD 040T060	323	20-28	40X36	92	60X55	60	1.2
XAA 060T090	323	28	60X55	110	90	90	4.1
XAA 060T114	323	28	60X55	140	114	114	9.1

#### 螺旋花键套 Shaft Couplings

### XAL



#### 连接尺寸 CONNECTION SIZE

型号 Part #	适用喂料机 Φ Feeder	齿数 Number of teeth	A	B	C	E	T	Kg
XAL 028T0421	168 193 219 273	13	28X25	70	42	35	42	0.5
XAL 040T0601	168 193 219 273	20	40X36	92	60	35	60	1.2
XAL 060T1141	323	28	60X55	140	114	55	114	9.1

Dimensions in mm