

BULK SOLIDS HANDLING EQUIPMENT

PNEUMATIC VIBRATORS

气动振动器

Roller Vibrators -OR-series

OR滚轴系列振动器

OR系列滚轴系列振动器的频率是通过滚轴沿钢圈滚动,从而产生离心力。应用于箱和料斗压缩、分离。

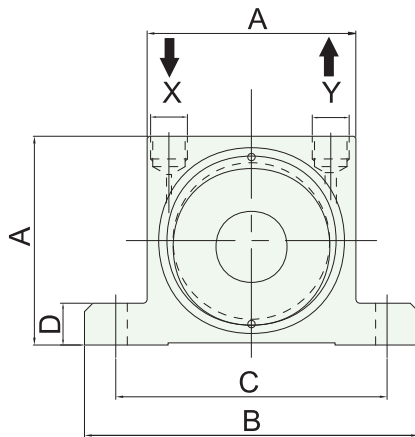
Vibration is generated by a rotor which describes an epicycloida movement inside a steel race.

OR vibrators generate a very high frequency with low consumption as compared to the force given.



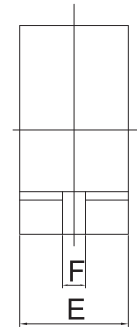
OR

Roller Vibrators
气动滚轴振动器



Roller-type
Rollenversion

Lubrication-free
Maintenance-free
Flameproof
-20 ~ +180°C



连接尺寸 CONNECTION SIZE

TYPE	A		B		C		D		E		F		X-Y	Ⓜ	
	mm	inch	mm	inch	mm	inch	mm	inch	mm	inch	mm	inch		kg	lbs
OR 50	50	1.97	86	3.39	68	2.68	12	0.47	30	1.18	7	0.28	1/8"	0.370	0.81
OR 65	65	2.56	113	4.45	90	3.54	16	0.63	36	1.42	9	0.35	1/4"	0.760	1.67
OR 80	80	3.15	128	5.04	104	4.09	16	0.63	40	1.57	9	0.35	1/4"	1.270	2.79
OR 100	100	3.94	160	6.30	130	5.12	20	0.79	52	2.05	11	0.43	1/4"- 3/8"	2.600	5.72

TYPE	Vibrations - Schwingungen Vibrations - Vibrazioni 振次			F.C. max. 激振力						Air consumption - Luftverbrauch Consommation d'air - Consumo d'aria 耗气量					
	Vpm			2 bar = 29 psi		4 bar = 58 psi		6 bar = 87 psi		2 bar = 29 psi		4 bar = 58 psi		6 bar = 87 psi	
	2 bar = 29 psi	4 bar = 58 psi	6 bar = 87 psi	kg	lbs	kg	lbs	kg	lbs	l	CF	l	CF	l	CF
OR 50	21,000	25,000	29,500	188	413	281	619	355	780	78	2.8	144	5.1	204	7.2
OR 65	19,000	22,000	26,000	235	516	439	966	552	1215	100	3.5	198	7.0	296	10.5
OR 80	14,000	16,000	21,500	342	752	587	1292	624	1373	122	4.3	255	9.0	378	13.3
OR 100	6,750	9,750	11,000	289	637	604	1329	783	1722	132	4.7	284	10.0	412	14.5

Dimensions in mm

Please contact us on any small problems & details.