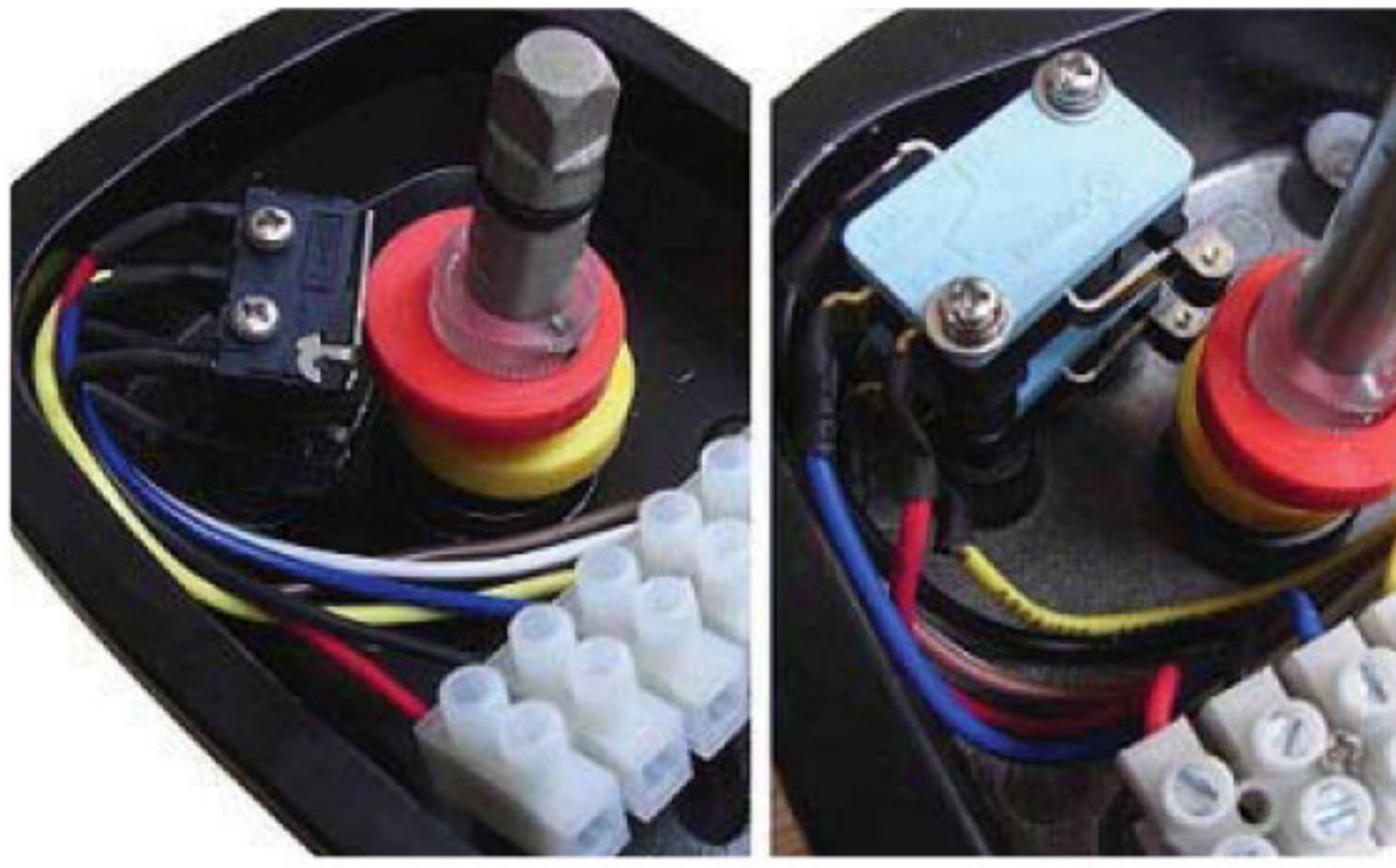


Model	APL-2N		APL-3N		APL-4N		APL-5N	
	Standard	Option	Standard	Option	Standard	Option	Standard	Option
Enclosure Explosion proof	IP67				IP67 Eexd II BT6		IP67 Eexd II CT6	
Temperature Range	-25° C~85 ° C							
Conduit Entries	2 x 1/2" NPT	PT 1/2"PF1/2"	2 x3/4"NPT	PT 3/4"PF3/4"	2 x3/4"NPT	PT 3/4"PF3/4"	2 x3/4"NPT	PT 3/4"PF3/4"
Terminal Strips	8	-	8	9~24	8	9~24	8	9~24
Position Indicators	0° ~90 °	0° ~180 °	0° ~90 °	0° ~180 °	0° ~90 °	0° ~180 °	0° ~90 °	0° ~180 °
Switches	Closed: Red, Open: Yellow Mechanical Switches (Option:Prximity Sensor)							

Materials

Housing Cover & Body	Aluminium die-casting
Shaft	Stainless Steel
Indicator Cover	Polycarbonate
Indicator	ABS/Polycarbonate
Cam	Polycarbonate
Spring	Stainless Steel
Housing Cover Bolt	Stainless Steel
O-Ring	NBR
Bushing	Bronze
E-Ring (shaft)	Stainless Steel
Earth Lug	Stainless Steel
Bracket	Carbon Steel Powder coated



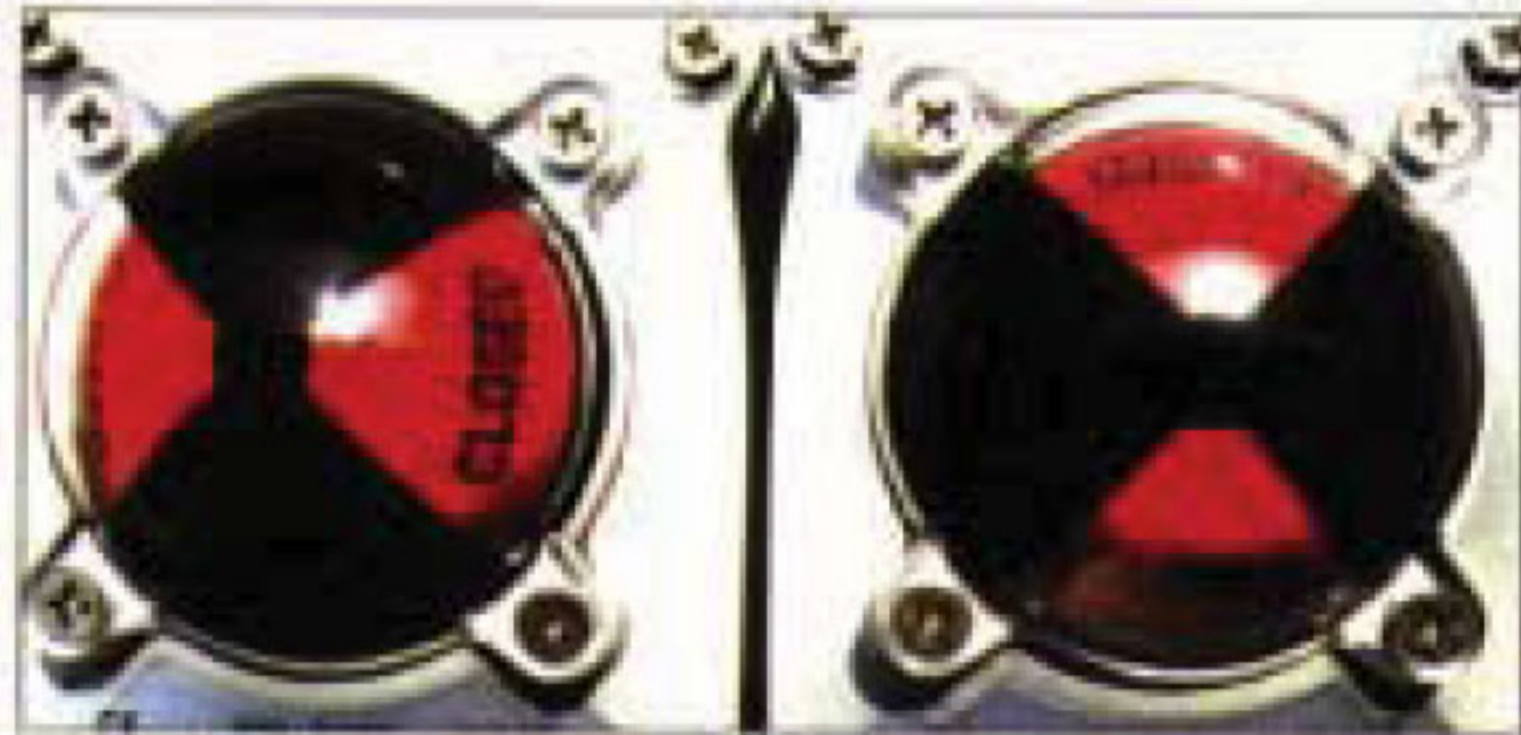


Mechanical Switches

- 2 SPDT Switches
- Contact arrangement:
250V AC/3A, 125V AC/5A, 250VDC/0.2A, 125VDC/0.4A, 30VDC/4A

Optional Switches: Proximity Sensor APL-320N 20N

- NJ2-V3-N (P&F) - Voltage range: 8V DC (IP 67 to IEC60529)
- PS17-5DNU(NPN, PNP)(Autonics) -Voltage rating : 10~30V DC



Position Indicator

Adjustable for required direction



Captive Cover Bolts

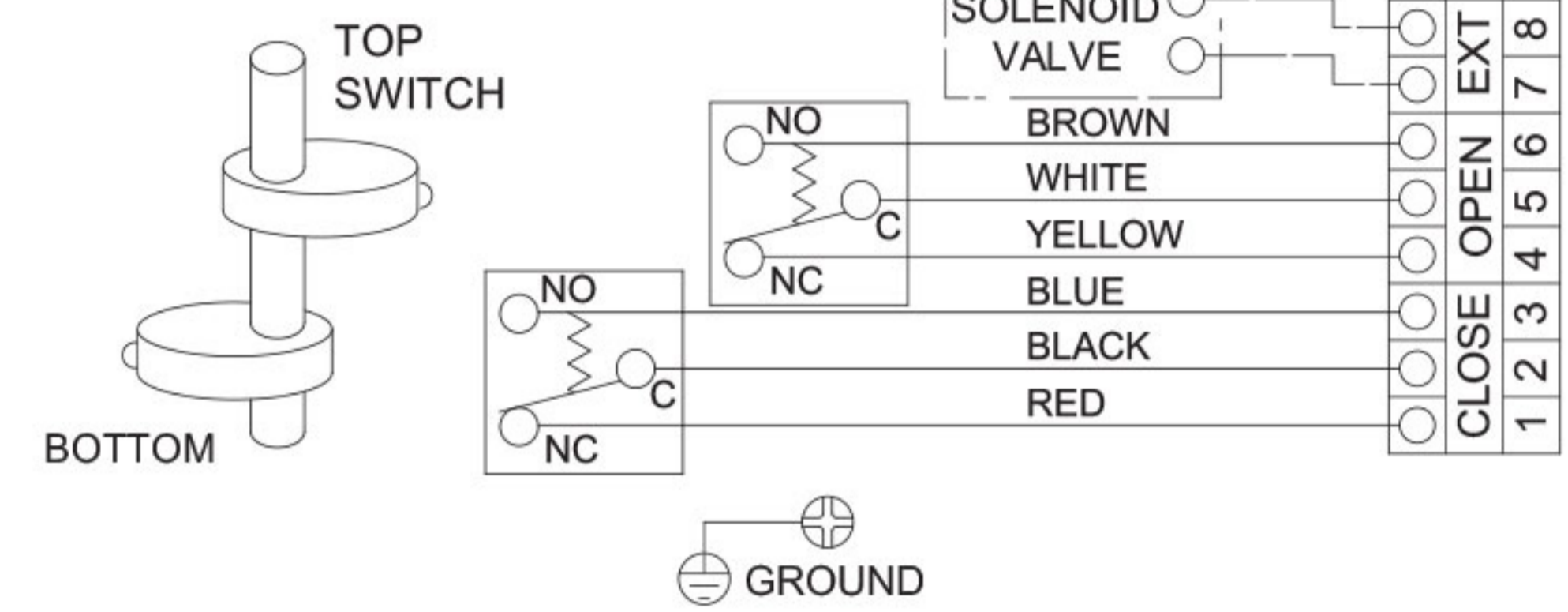
Specifically designed to prevent losing cover bolts during maintenance or installation.



Conduit Entries

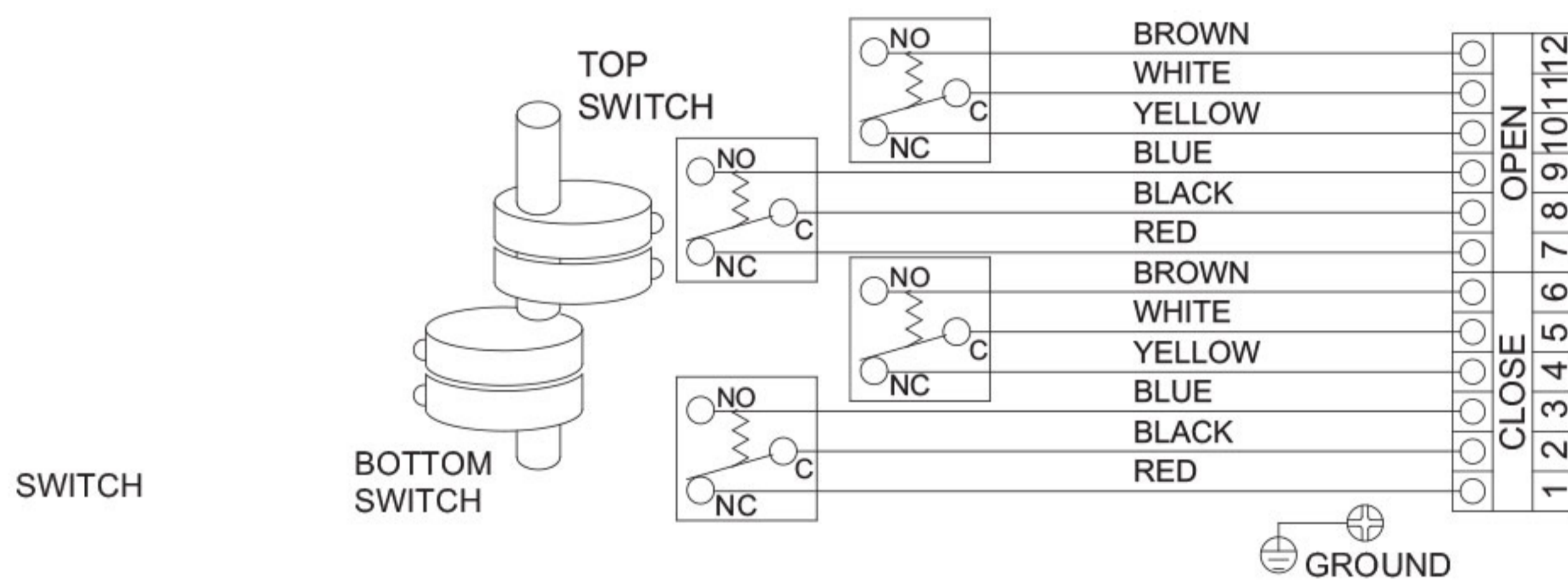
Dual conduit entries for easy installation.
Additional terminals supplied for solenoid valve terminations.

2-SPDT

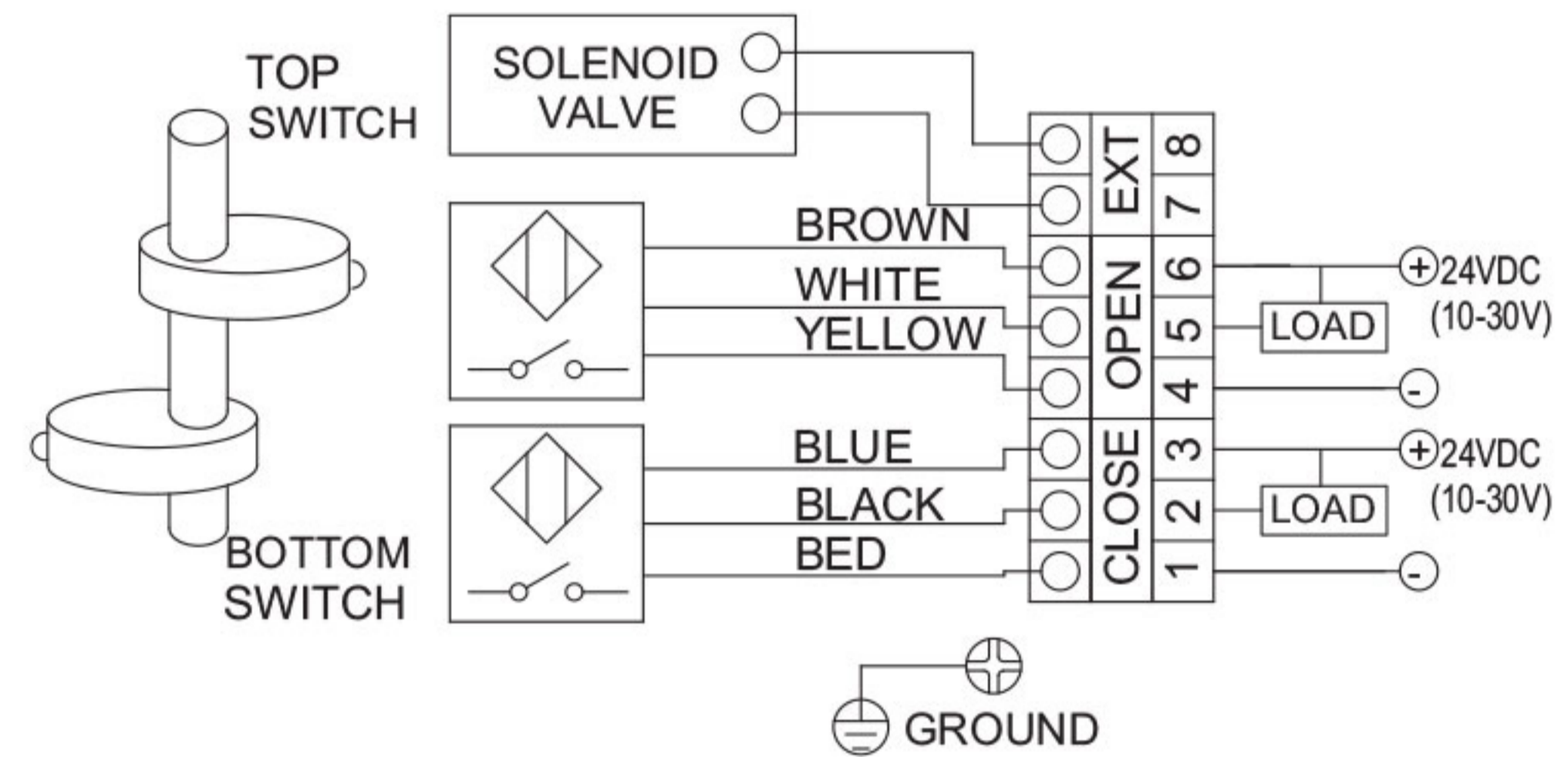


Wiring Diagram

4-SPDT



Proximity sensor



Bracket

NAMUR standard sizes:
A:30x80 H20
B:30x80 H30
C:30x130 H30

Notes:H-Height of actuator output shaft



APL-210



APL-310



APL-410

